

## Wire rope vibration damper

Stainless steel

### CABLE, BARS AND SCREWS

AISI 316 stainless steel.

### STANDARD EXECUTIONS

Threaded pass-through holes.

- **AVC-4**: the cable extends for four loops.
- **AVC-6**: the cable extends for six loops.
- **AVC-8**: the cable extends for eight loops.

### FEATURES AND APPLICATIONS

AVC wire rope vibration dampers are composed of two pairs of bars, joined together by a connecting cable with a helical winding (loop).

They are generally used for isolating vibrations and shock absorption, where resistance to tension, compression and shear force is required. Vibrations can cause:

- malfunctioning and reduction of the machine lifespan and/or of the adjacent ones;
- damage to health;
- noise.

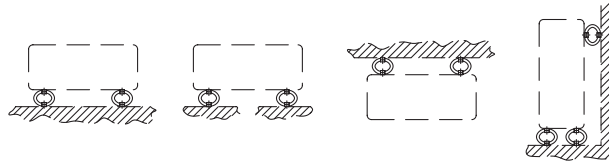
They are particularly suitable for use with HVAC, pumps, purification and desalination plants, instrumentation panels, rail, naval and military industry. Some examples of application are shown in Fig.1. See High performance vibration dampers - Characteristics and selection criteria (on page -).

### SPECIAL EXECUTIONS ON REQUEST

- Wire rope vibration dampers with AISI 304 stainless steel bars.
- Wire rope vibration dampers with aluminium bars with chromic passivation.



Fig.1



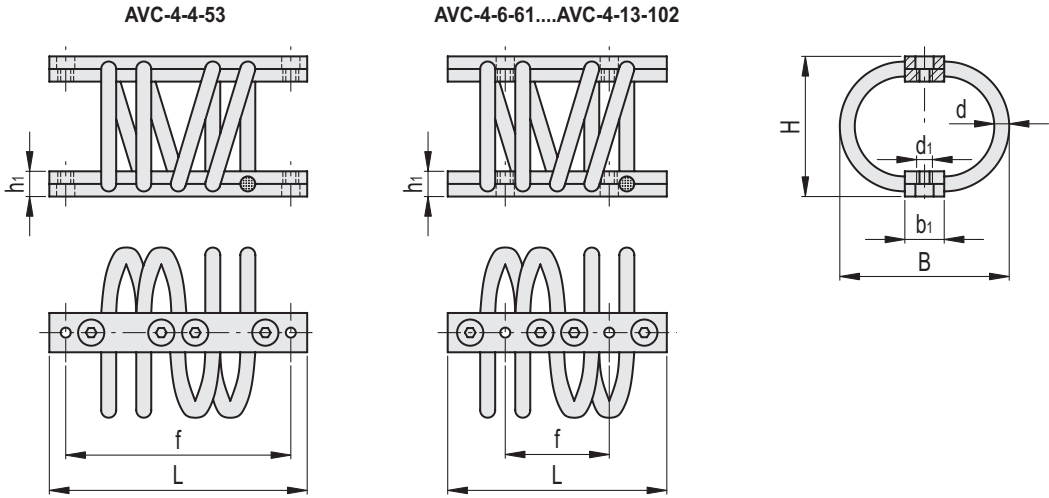
Description	Compression resistance				Axial holding force				Shear resistance			
	Min load [N]	Max load [N]	Min deflection [mm]	Max deflection [mm]	Min load [N]	Max load [N]	Min deflection [mm]	Max. deflection [mm]	Min load [N]	Max load [N]	Min deflection [mm]	Max. deflection [mm]
AVC-4-4-53	50	110	2	5	50	110	1	3	20	40	5	10
AVC-4-6-61	200	300	2	4	200	300	2	3	70	150	3	7
AVC-4-6-93	70	140	2	7	70	140	3	6	30	70	5	13
AVC-4-7-110	80	180	2	9	80	180	2	8	30	90	5	17
AVC-4-10-80	850	1500	2	5	850	1500	1	3	400	900	4	11
AVC-4-10-108	300	630	2	7	300	630	2	6	150	300	5	14
AVC-4-13-102	1000	2500	2	8	1000	2500	2	5	500	1000	5	13
AVC-6-7-82	200	450	2	6	200	450	2	5	100	230	3	11
AVC-6-8-67	600	1000	2	4	600	1000	2	3	300	600	3	8
AVC-6-10-80	1500	2500	2	5	1500	2500	1	3	750	1400	5	11
AVC-6-13-135	850	1500	4	11	850	1500	4	11	300	800	6	21
AVC-8-13-120	1500	3000	4	11	1500	3000	3	7	600	1500	7	19

The min. load is the value below which the vibration damper is not able to isolate the vibrations as it would be too rigid.

The max load is the value beyond which some type of failure may occur compromising the functionality of the vibration damper.

The min.deflection is the compression of the vibration-damping support corresponding to the min. load.

The max.deflection is the compression of the vibration-damping support corresponding to the max. load.

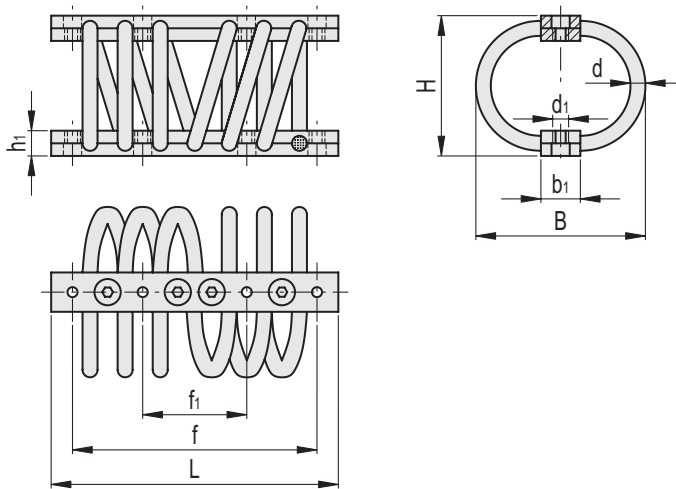


AVC-4

STAINLESS STEEL

Code	Description	B	L	H	d	d1	b1	h1	f	⚖️
480001	AVC-4-4-53	53 ±3	71	45 ±3	4	M6	15	8	61	180
480003	AVC-4-6-61	61 ±3	91	51 ±3	6	M6	15	12	46	370
480005	AVC-4-6-93	90 ±4	91	65 ±4	6	M6	15	12	46	420
480007	AVC-4-7-110	110 ±4	91	79 ±4	7	M6	15	12	46	500
480009	AVC-4-10-80	80 ±4	155	68 ±4	10	M8	25	16	83	1280
480011	AVC-4-10-108	108 ±4	155	89 ±4	10	M8	25	16	83	1430
480013	AVC-4-13-102	101 ±4	155	80 ±4	13	M8	25	20	83	1760

AVC-6



AVC-6

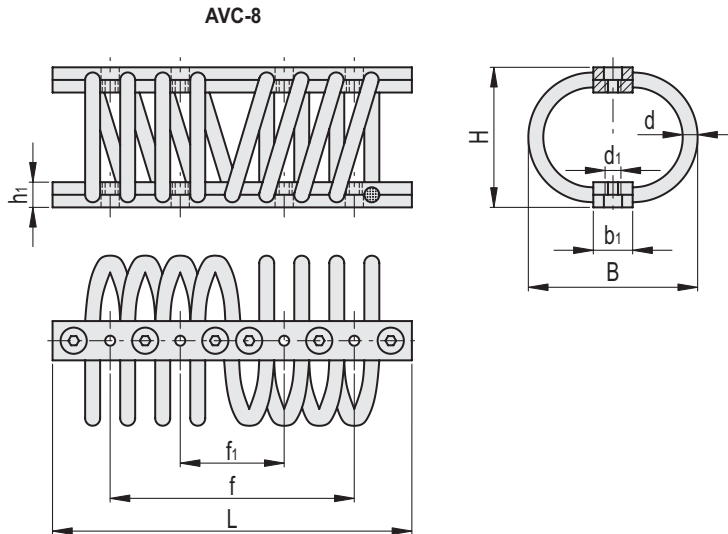
STAINLESS STEEL

Code	Description	B	L	H	d	d1	b1	h1	f	f1	⚖️
480021	AVC-6-7-82	82 ±4	200	60 ±4	7	M6	15	12	66	155	870
480023	AVC-6-8-67	67 ±4	200	53 ±4	8	M6	15	12	66	155	870
480025	AVC-6-10-80	80 ±4	169	68 ±4	10	M6	25	16	66	155	1490
480027	AVC-6-13-135	135 ±5	178	110 ±5	13	M8	25	20	66,6	155,5	2610





Vibration damping elements 9



**AVC-8**

**STAINLESS STEEL**

Code	Description	B	L	H	d	d1	b1	h1	f	fi	
480029	AVC-8-13-120	118 ±4	222	95 ±4	13	M6	25	20	66	155	3040